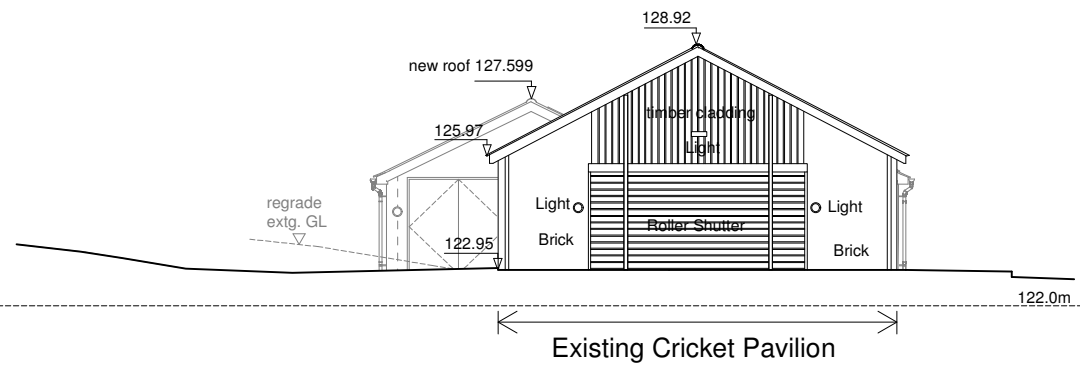
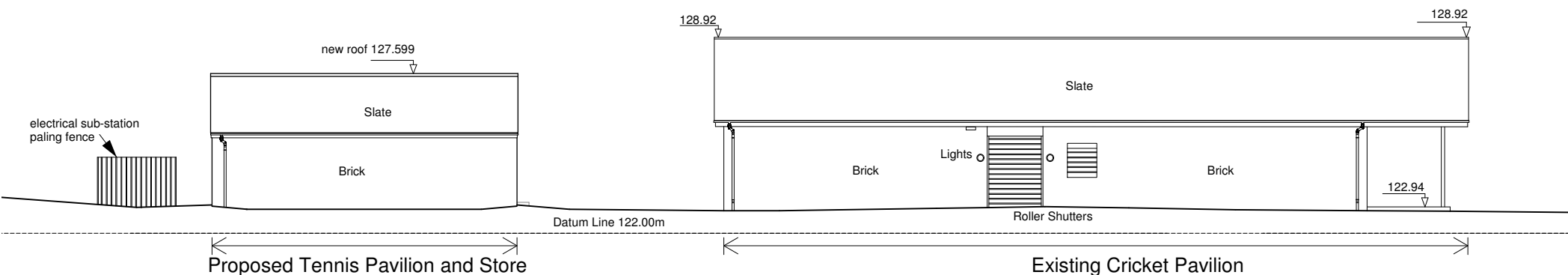


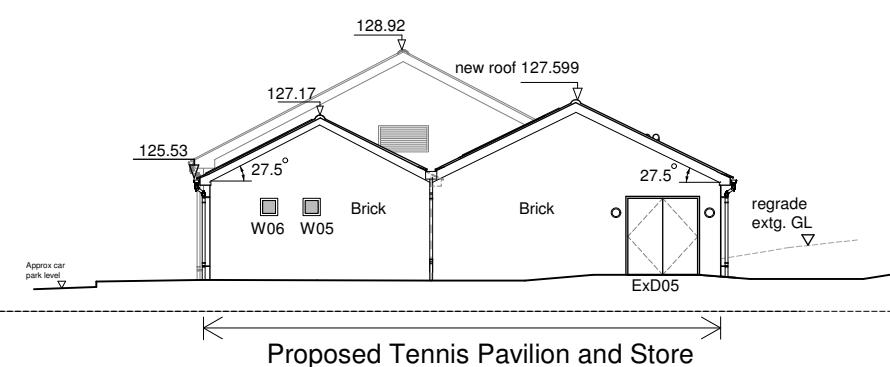
SOUTH ELEVATION AS EXSITING



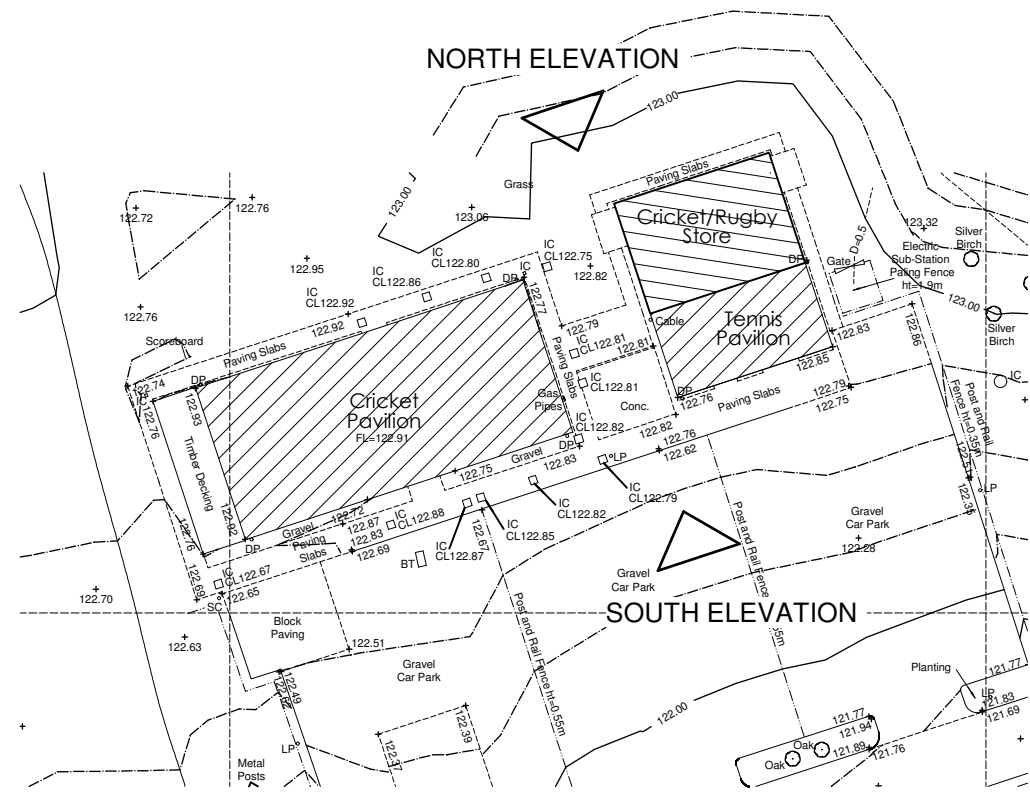
WEST ELEVATION AS EXSITING



NORTH ELEVATION AS EXSITING



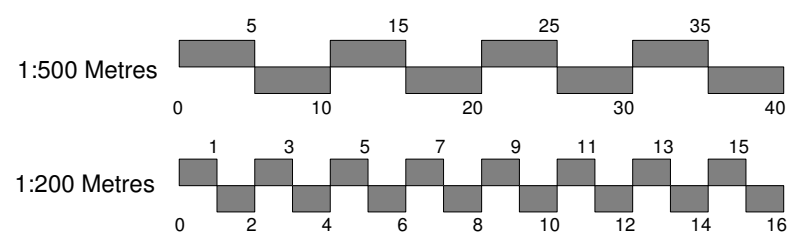
EAST ELEVATION AS EXSITING



PLAN AS PROPOSED
1:500

EAST ELEVATION

WEST ELEVATION



ANDREW TOWNSEND ARCHITECTS
 HISTORIC BUILDINGS CONSULTANTS
 MARLBOROUGH HOUSE 2 BROMSGROVE FARINGDON OXON SN7 7JQ
 Tel 01367 242639 Email info@andrewtownsend.co.uk Fax 01367 242835

project
Tennis Club
 Stanford Road
 for Faringdon Tennis Club

drawing
Building Elevations
 As Proposed

date March 2012	scale 1:200 / 500 Drawing original is A3 size	drg. no. 819:PL04	rev. -
--------------------	---	-----------------------------	-----------