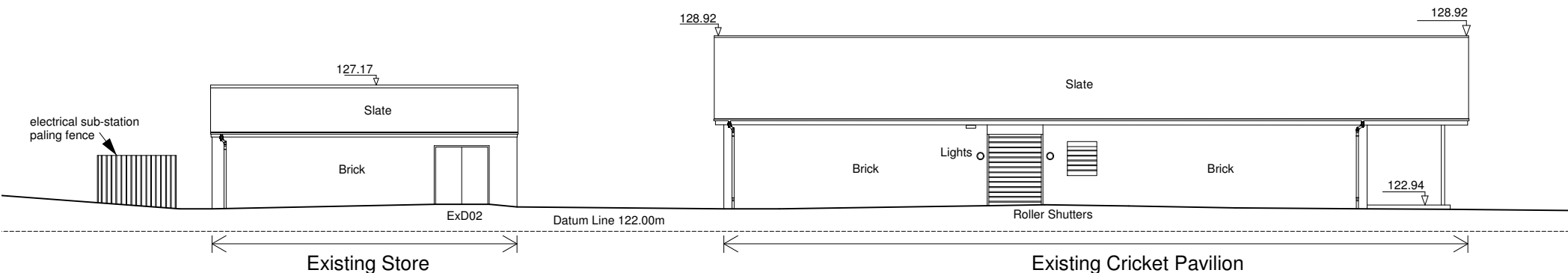
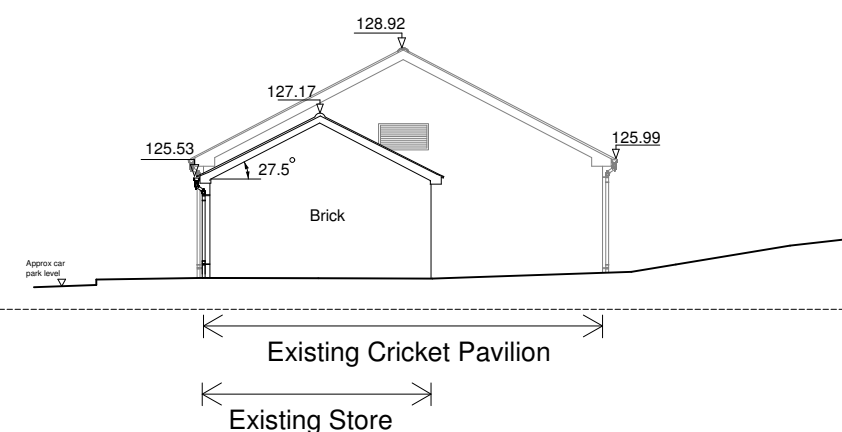


SOUTH ELEVATION AS EXSITING

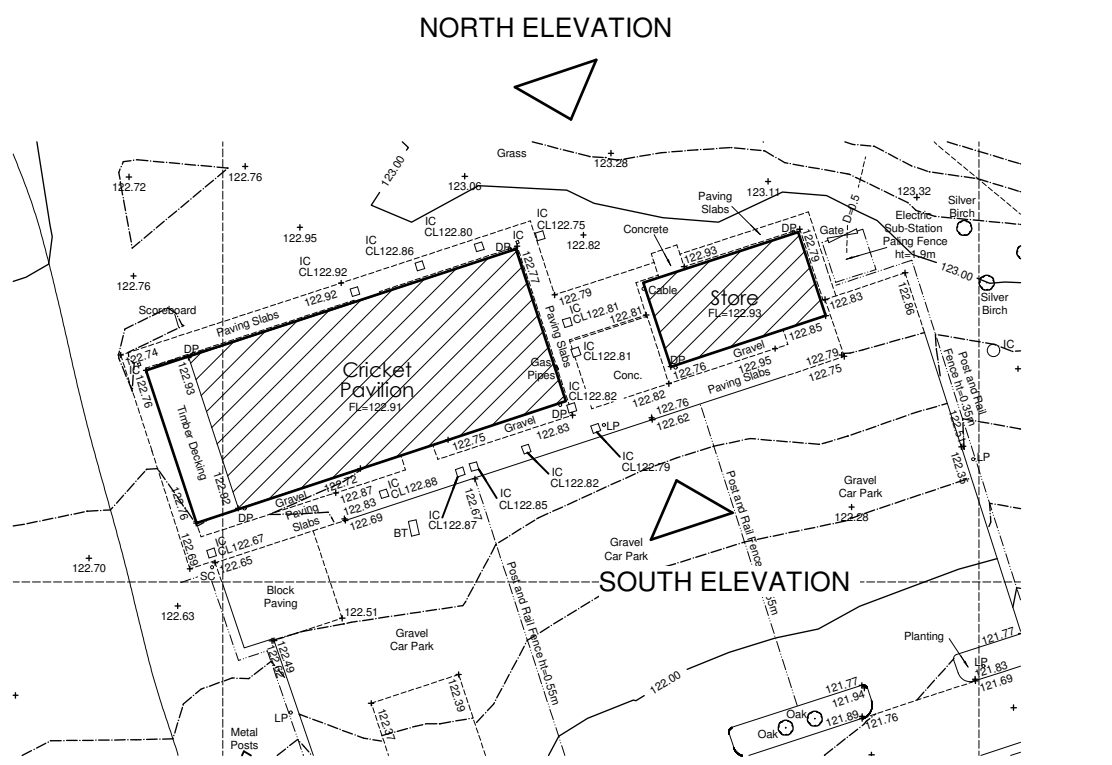
WEST ELEVATION AS EXSITING



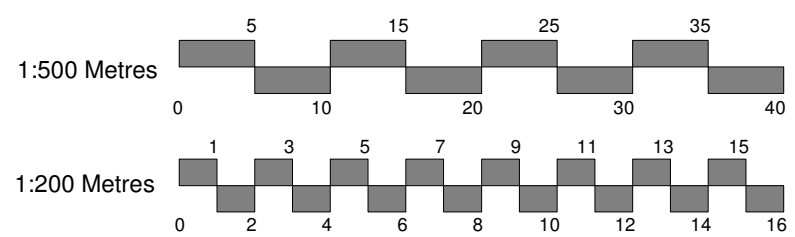
NORTH ELEVATION AS EXSITING



EAST ELEVATION AS EXSITING



PLAN AS EXISTING
1:500



ANDREW TOWNSEND ARCHITECTS
 HISTORIC BUILDINGS CONSULTANTS
 MARLBOROUGH HOUSE 2 BROMSGROVE FARINGDON OXON SN7 7JQ
 Tel 01367 242639 Email info@andrewtownsend.co.uk Fax 01367 242835

project
Tennis Club
 Stanford Road
 for Faringdon Tennis Club

drawing
Building Elevations
 As Existing

date	scale	drg. no.	rev.
March 2012	1:200 / 500 Drawing original is A3 size	819:PL03	-

WEST ELEVATION

EAST ELEVATION

N